

Kapsch Antenna Summary.

Parameter / Antenna:	IAG-1 Antenna	IAG-1 Antenna "B"	IAG-2 Antenna	IAG2-T Antenna	VRC Antenna	mGate Antenna
Part #	800260-011	800260-012	800260-008	800260-007	800260-010	800260-009
Lane Kit #	801692-014	801692-017	801692-012	801692-009	801692-013	801300-002 (Reader Kit)
Description	3x3 patch	3x3 patch	2x2 patch	2x2 patch	2 patch	1 patch
Size WxHxD (in)	34.75 x 31.75 x 2.3"	34.75 x 31.75 x 2.23"	17.72 x 15.47 x 1.2"	18 x 16 x 2"	17.22 x 10.22 x 1.1"	11.84 x 10.72 x 1.22"
Weight¹ (lb)	28 lb	28 lb	4 lb	4 lb	4 lb	2 lb
Horizontal Beamwidth	28 deg	28 deg	40 deg	40 deg	60 deg	55 deg
Vertical Beamwidth	28 deg	28 deg	40 deg	40 deg	40 deg	60 deg
Gain	16 dBi	16 dBi	12 dBi	12 dBi	10 dBi	9 dBi
Mounting	Horizontal	Horizontal	Horizontal	Horizontal	Vertical	Horizontal

Parameter / Antenna:	IAG-3 Antenna	IAG-4 Antenna	IAG-5 Antenna	Patch - Lab Use	Patch - Toll Booth ³	Patch - Toll Booth ⁴
Part #	800260-015	800260-016	800260-017	700257-001	700257-002	700257-003
Lane Kit #	801692-019	801692-020	801692-021	N/A	N/A	N/A
Description	3x4 dipole array	6x4 dipole array	4x4 dipole array	1 patch	1 patch	1 patch
Size WxHxD (in)	34.5 x 21.25 x 3.13"	45.6 x 38.0 x 6.25"	36.13 x 30.81 x 3.13"	7.75 x 4.625 x 2.25"	8.813 x 7.437 x 6.093"	10.781 x 7.432 x 4.091"
Weight¹ (lb)	19 lb	73 lb	32 lb	1.3 lb	3.65 lb	3.35 lb
Horizontal Beamwidth	29 deg	19 deg	22 deg	N/A	N/A	N/A
Vertical Beamwidth	40 deg	23 deg	30 deg	N/A	N/A	N/A
Gain	14 dBi	17 dBi	16.5 dBi			
Mounting²	Horizontal	Horizontal	Horizontal	Horizontal	Horizontal	Horizontal

Notes:

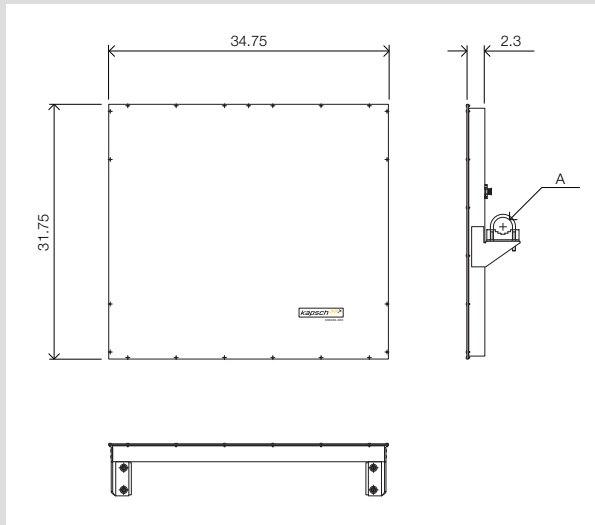
¹ Weight specified is applicable to the antenna structure only i.e. it does not include mounting hardware.

² Mounting information is provided as a guideline. Site details may require some adjustment beyond the ranges specified.

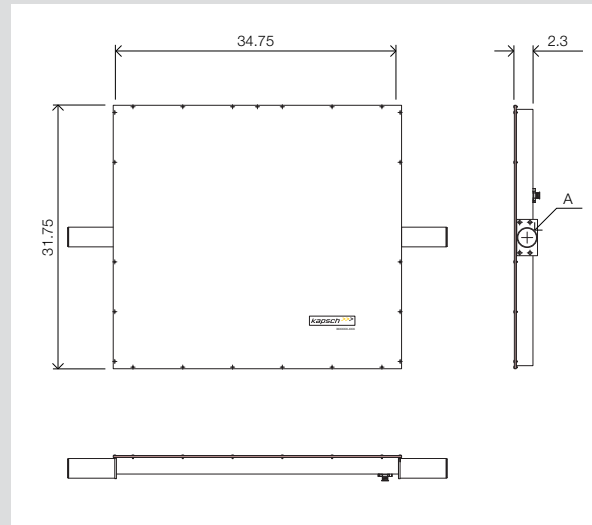
³ Includes a switch that is wired discreetly.

⁴ Includes a switch that disables the antenna directly.

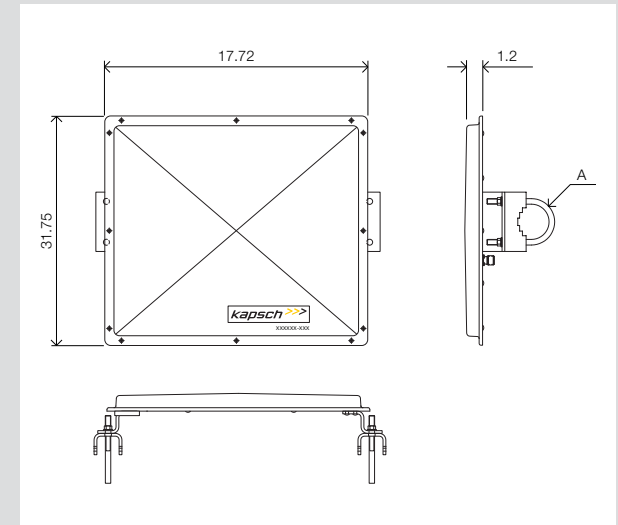
Technical Drawings



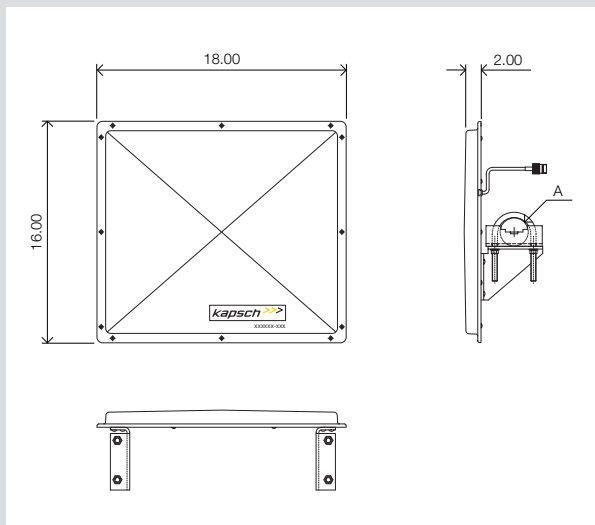
IAG-1 Antenna



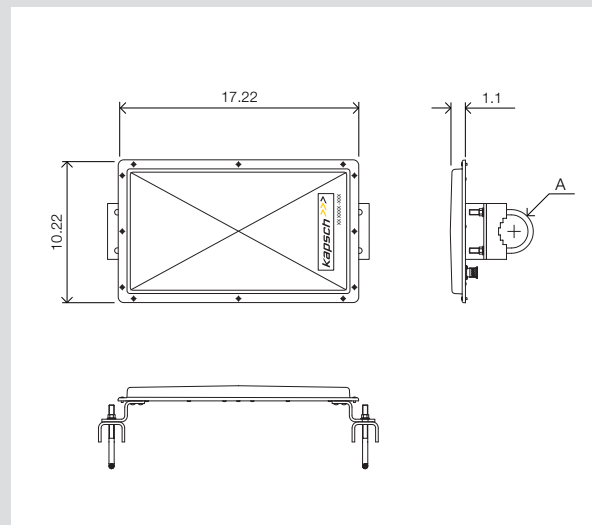
IAG-1 Antenna "B"



IAG-2 Antenna



IAG-2 T Antenna

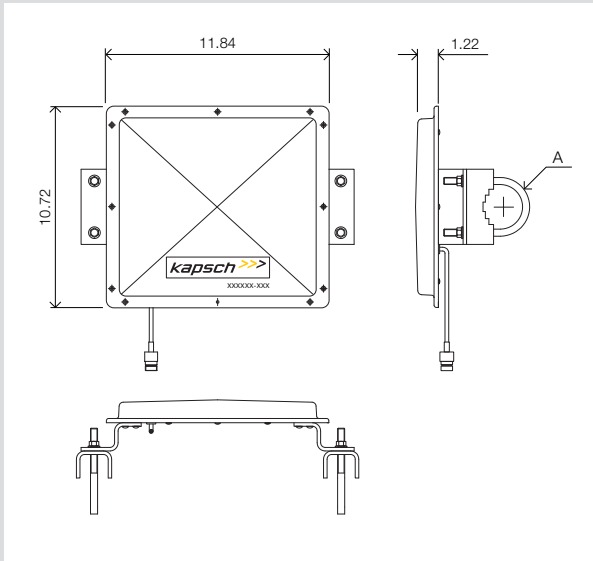


VRC Antenna

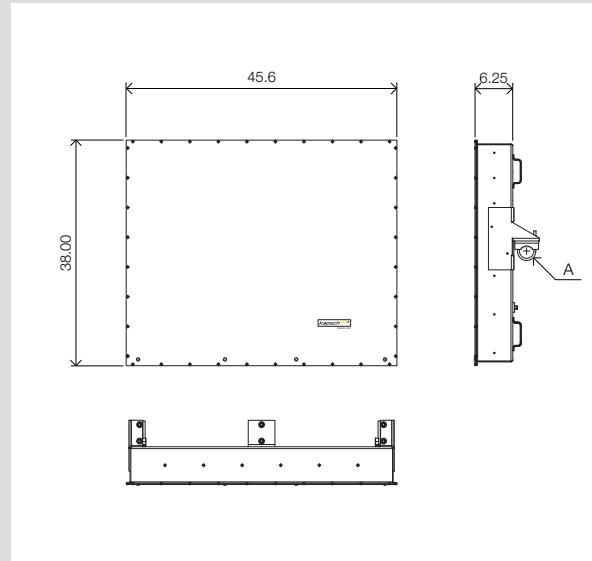
DETAIL "A": 2.00 in. diameter pole mounting.

Measurements in inches.

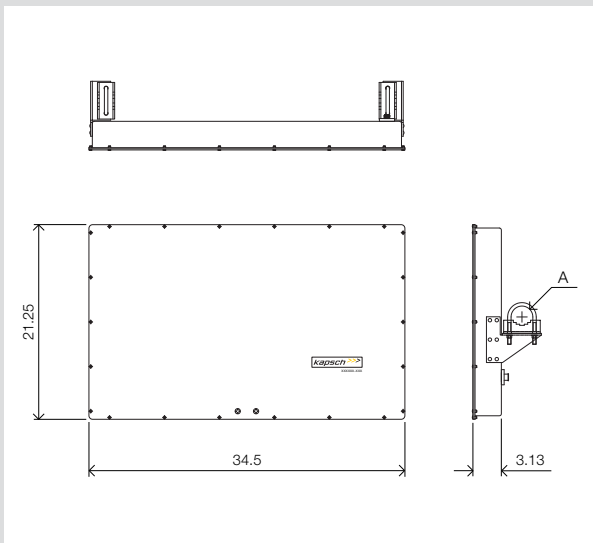
Technical Drawings



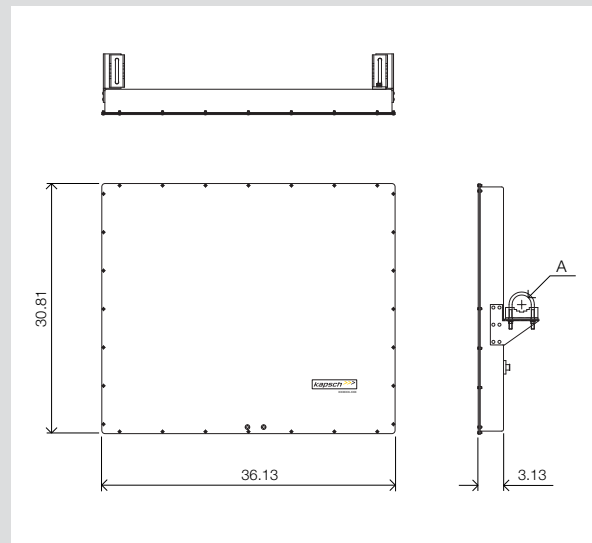
mGate Antenna



IAG-4 Antenna



IAG-3 Antenna



IAG-5 Antenna

DETAIL "A": 2.00 in. diameter pole mounting.
Measurements in inches.

Applications

Parameter / Antenna:	IAG-1 Antenna	IAG-1 Antenna "B"	IAG-2 Antenna	IAG2-T Antenna	IAG-3 Antenna	IAG-4 Antenna	IAG-5 Antenna	VRC Antenna
Standard Lane	15±1 ft height 15 deg tilt 10-12 ft lane width				IAG ORT lane 15±1 ft height 15 deg tilt 12 ft lane width	IAG high overhead mount (toll plaza) 22±2 ft height 10 deg tilt 10-12 ft lane width		407 ETR lanes for IAG and TDMA 5 deg tilt (IAG) 40 deg tilt (TDMA)
Alternate Mount		15±1 ft height 15 deg tilt 10 - 12 ft lane width						
Wide			15±1 ft height 10 deg tilt 10 - 16 ft lane width	15±1 ft height Low clearance 0 deg tilt (flat) 10 - 16 ft lane width				
Low Canopy			9-12 ft height 12 ft: 10 deg tilt 9 ft: 15 deg tilt 10-12 ft lane	9-13 ft height Low clearance 0 deg tilt (flat) 10-12 ft lane				
Traffic Management Overhead Mount								17-20 ft height 5 deg tilt 12-15 ft lane width
Side-fire Mount								17±1 ft height 30 deg pitch 45 deg yaw 12-15 ft lane width
ORT Lanes	16±1 ft height 15 deg tilt 12 ft lane width				IAG ORT lane 17±1 ft height 10 deg tilt 12 ft lane width		IAG high overhead mount (ORT) 22±2 ft height 10 deg tilt 12 ft lane width	

Kapsch Group.

Kapsch is one of Austria's most successful technology corporations, specialized in the future-oriented market segments of Intelligent Transportation Systems (ITS), Railway and Public Operator Telecommunications as well as Information and Communications Technology (ICT). Kapsch. Always one step ahead.

Kapsch TrafficCom North America | 8201 Greensboro Drive | Suite 1002 | McLean, VA 22102 | USA | Phone +1 703-885-1976 | Fax +1 703-790-9100

E-Mail: ktc.na@kapsch.net | www.Kapsch.us | www.kapsch.net